

WAP33DC and WAP38DC Wireless Indoor Access Point Installation Manual

Manual Version: v2.0

Content

Chapter 1 Device Introduction	1-1
Chapter 2 Preparation for Installation	2-1
2.1 Installation Precautions	2-1
2.2 Installation Environment Requirements.....	2-1
2.3 Equipment Accessories.....	2-1
2.4 Installation Tools	2-2
Chapter 3 AP Installation	3-1
3.1 Installation Process.....	3-1
3.2 Installation Checklist.....	3-2
3.3 Installation Placement.....	3-2
3.4 Installing the WAP3xDC	3-2
3.4.1 Wall Hanging Installation.....	3-3
3.4.2 T-Keel Installation.....	3-7
3.5 AP Power Options.....	3-9
3.6 Connecting the Internet	3-9

Chapter 1 Device Introduction

The WAP3xDC series metal indoor wireless access points includes the WAP33DC and WAP38DC:



Fig 1-1 WAP33DC




Fig 1-2 WAP38DC

Quick Specs:

Product Model	WAP33DC	WAP38DC
Features	IEEE802.11a/b/g/n Double Radio frequency	IEEE802.11a/b/g/n Double Radio frequency
Antenna	Built-out antenna: 2.4G gain 5dBi, 5G gain 5dBi	Built-in antenna: 2.4G gain 4dBi, 5G gain 5dBi
Power Consumption	9 Watts (max)	16W (max)
Shape Size	208×125×24mm	250×222×58mm
Weight	0.75kg	0.60kg

Chapter 2 Preparation for Installation

2.1 Installation Precautions

 **Warning :**

Before the installation and configuration, please read the related security introduction carefully.

- Use the appropriate security measures to avoid personal injury and equipment damage.
- Keep the device clean.
- Do not leave the device on a wet surface.
- Do not leave the device and the installation tools in a busy walking area.

2.2 Installation Environment Requirements

The temperature and humidity environment requirements of the device are as below:

Table 2-1 Temperature Specs










Items	Range
Standard working environment temperature (indoor)	-10°C ~ 55°C
Storage temperature	-40°C ~ 70°C
Working humidity (non-condensing)	5% ~ 95%

2.3 Equipment Accessories

Please refer to the packing list.

2.4 Installation Tools

Recommended tools to use when installing WAP3xDC series access points:

				
Horizontal ruler	Permanent marker	Knife	Wire stripper	Network pliers
				
Impact drill (1) and some supporting drills	Rubber hammer	Phillips screwdriver	Ladder	

Chapter 3 AP Installation

3.1 Installation Process

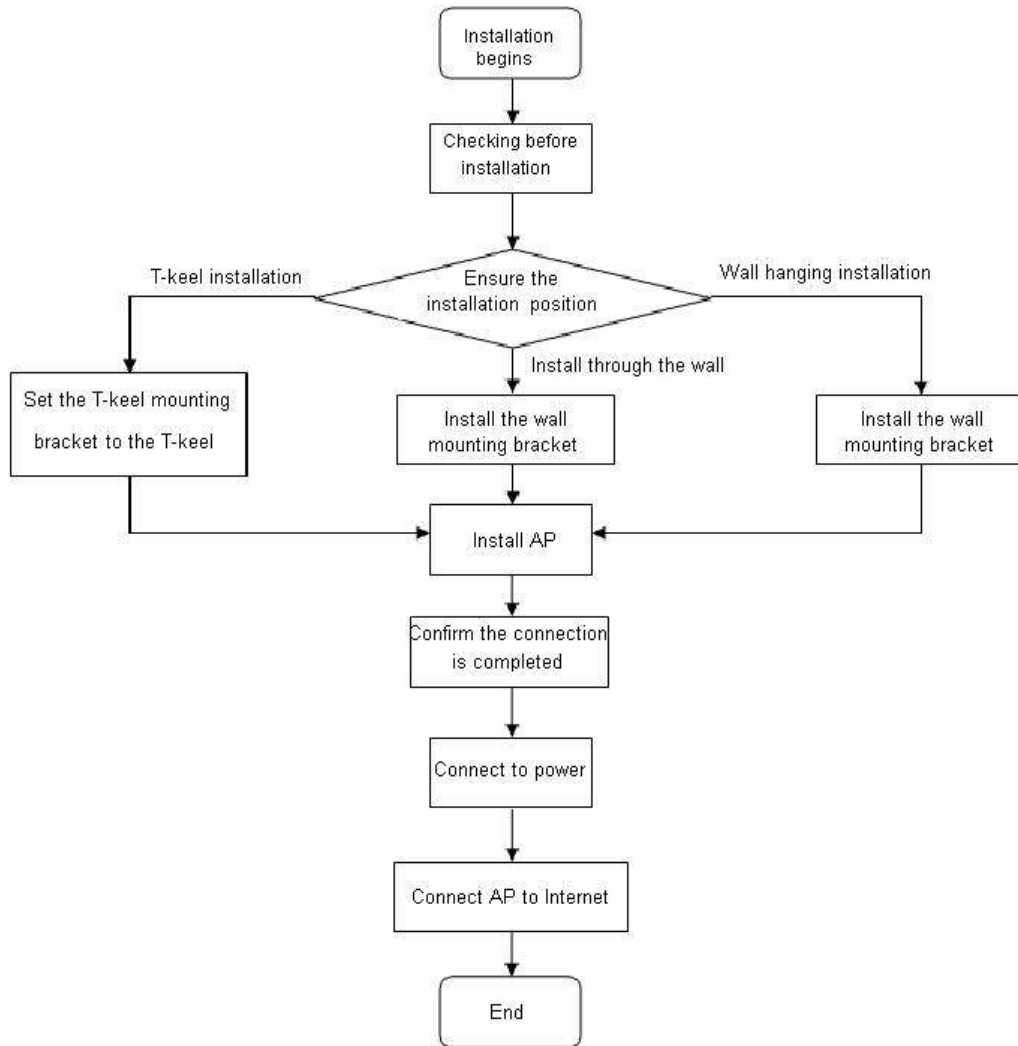


Fig 3-1 AP installation flow diagram

3.2 Installation Checklist

Check the following items before installing the AP:

- Power on the AP and connect the Ethernet cable. Inspect the LED status to make sure the AP is working normally.
- Record AP's MAC address and serial number (MAC address and serial numbers are located on the back of the AP).

3.3 Installation Placement

Here are some tips for AP placement:

- Cut back the obstacles (such as walls) between AP and the user terminal device as much as possible.
- Install APs far away from electrical devices that create RF noise such as the microwave.

3.4 Installing the WAP3xDC

The installation methods of WAP33DC and WAP38DC are very similar. Both APs can be installed using two methods:

- Wall hanging installation
- T-keel installation

3.4.1 Wall Hanging Installation

Use the wall mounting bracket and the supporting expansion bolts and screws if you plan to install the device to a wall.

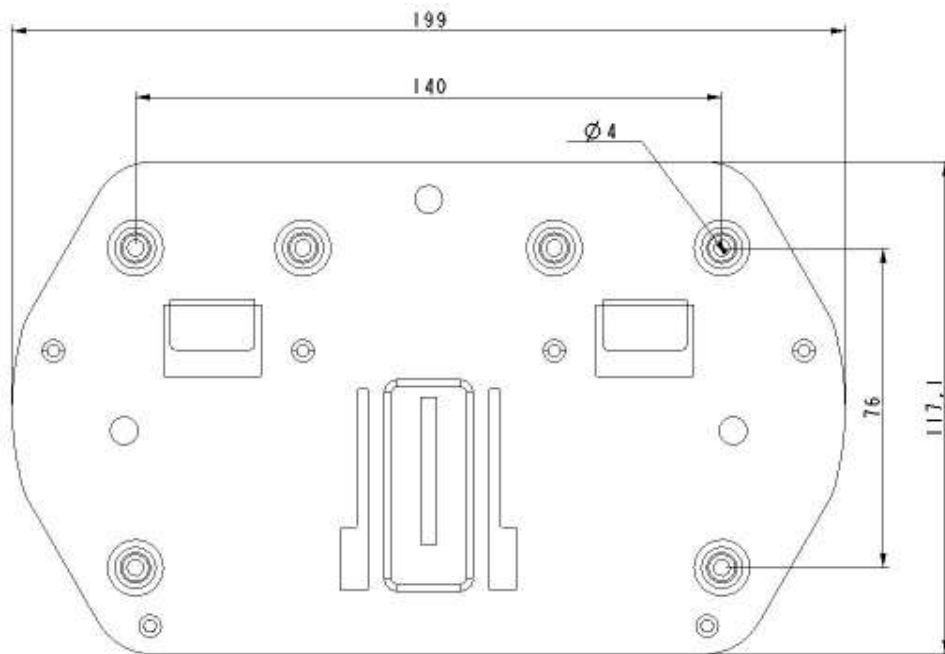


Fig 3-2 wall mounting bracket size and block diagram (unit: mm)

If you choose to install the AP using the wall hanging method, we recommend connecting the Ethernet cable to the AP first and then install the AP to the wall mounting bracket.

(1) Connect the AP to the POE port by using the cable

Place the mounting kit flat against the wall and mark the holes where the screws are going to be. Punch four holes using an impact drill.

Insert the expansion bolt into the holes and use a hammer it down until the bolt completely goes into the wall.

Match the screw holes to the expansion bolt holes on the wall. The screws should pass through the installation holes of the wall mounting kit. Lock the wall mounting kit to the wall.

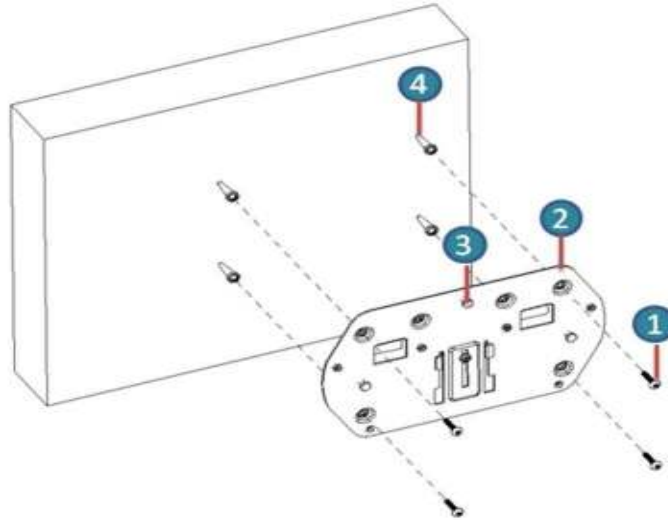


Fig 3-3 Installing the wall mounting bracket to the wall

- 1: Expansion screws
- 3: Pegs

- 2: Wall Mounting Kit
- 4: Expansion bolts

(2) Match up the mounting holes on the back of AP to the position of the pegs on the wall mounting kit:

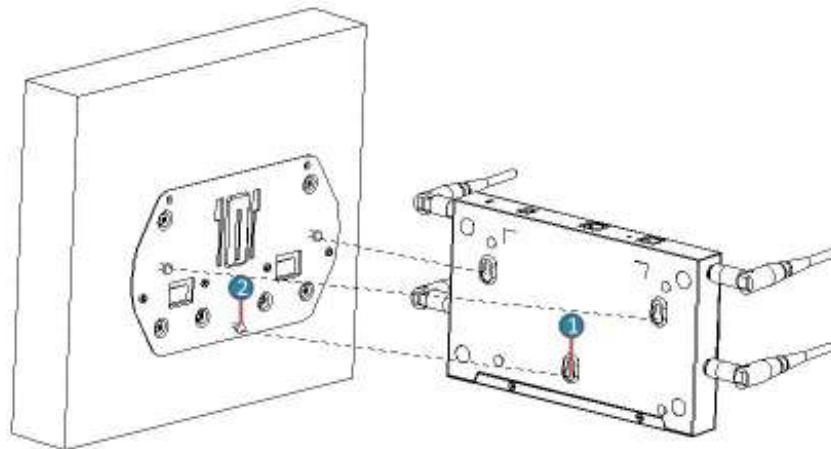


Fig 3-4 WAP33DC back mounting holes

- 1: Peg Mounting Hole

- 2: Pegs

(3) Hang the AP onto the pegs of the wall mounting kit

(4) Place the AP onto the mounting kit, aligning the peg with the peg holes. Slide until the pegs move to the bottom of the holes

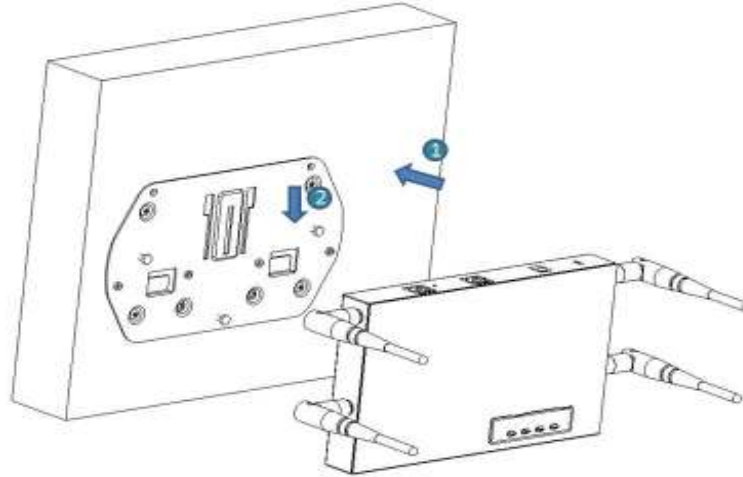


Fig 3-5 hang WAP33DC AP to the wall mounting bracket

1: AP

2: Wall Mounting Bracket

The same method applies to the WAP38D:

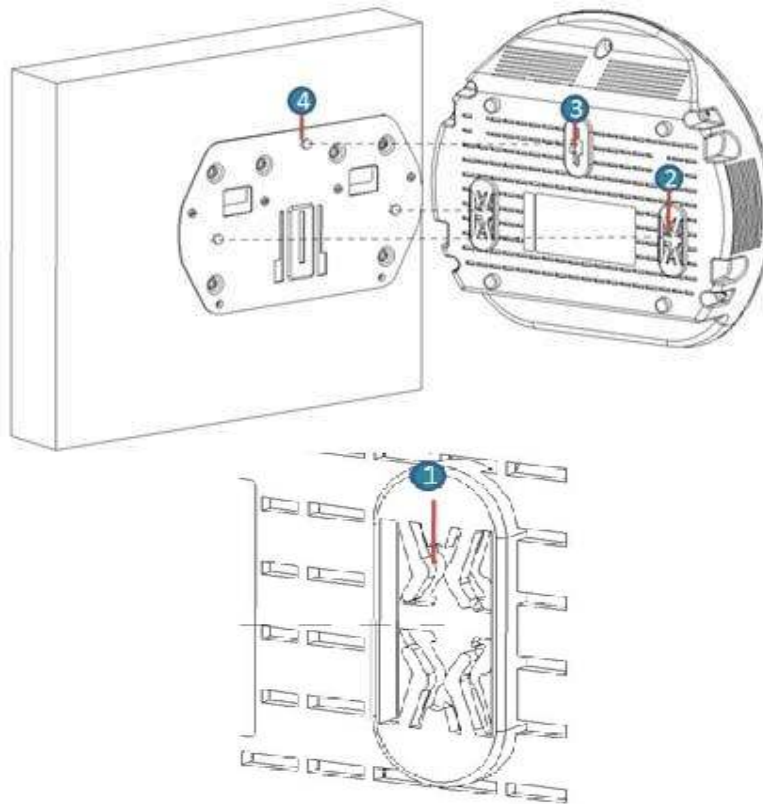


Fig 3-6 WAP38DC back mounting holes

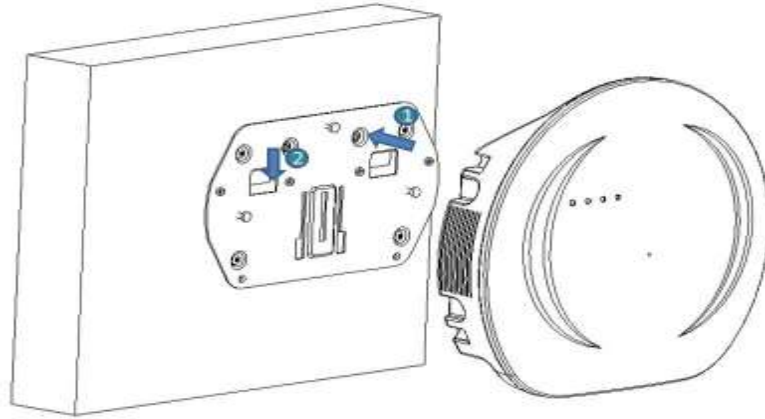


Fig 3-7 WAP38DC to the wall mounting bracket

(5) Finally, on the WAP33DC, lock the stationary blanks of the chassis to the AP and screw the wall mounting bracket using the M3 screws

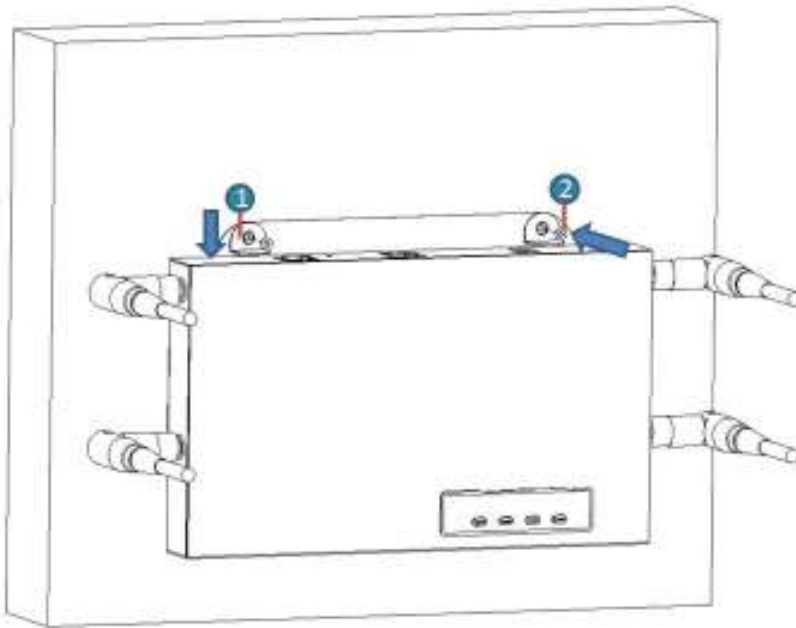


Fig 3-8 Stationary blanks of the chassis to the wall mounting bracket

1: stationary blanks of the chassis

2: M3 Screw

3.4.2 T-keel Installation

1. The width of T-keel is from 12mm to 30mm.
2. This installation method is only applied to the T-keel

The square hole on the rail in the wall mounting kit will be used for this method:

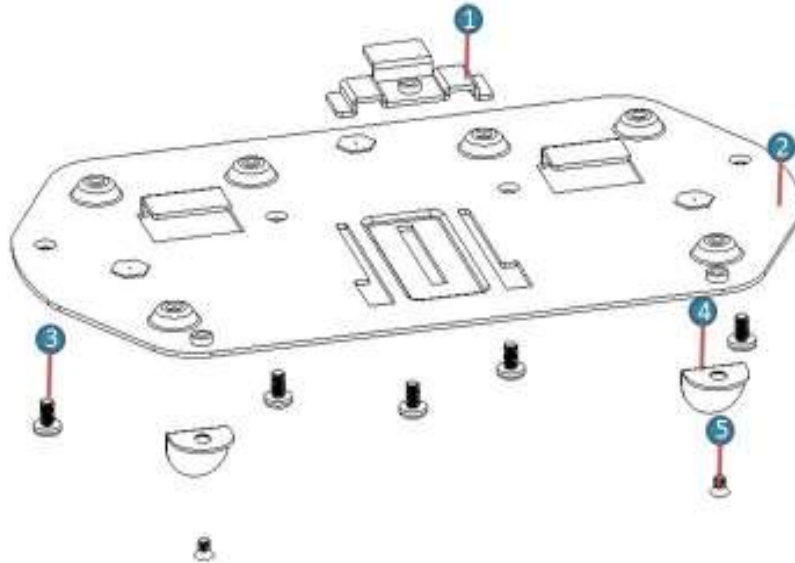


Fig 3-9 T-keel Installation

- 1: T-keel Mounting Kit
- 2: Wall Mounting Kit
- 3: M3×7 Fastening Screws
- 4: Stationary Blanks of the Chassis
- 5: M3 Screws

(1) Set the T-keel mounting kit into the rail of the wall mounting kit and place the M3x7 fastening screws through the rail hole of the T-keel mounting kit.

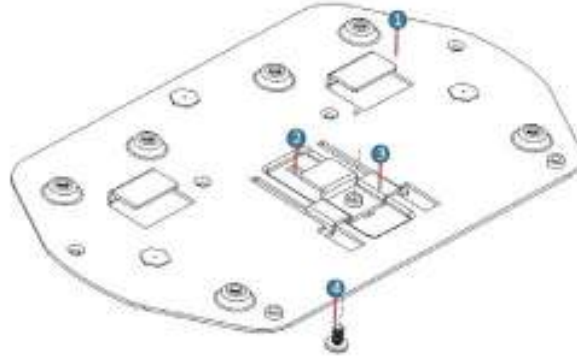


Fig 3-10 Keel bracket to the T-keel

1: Wall Mounting Kit
3: T-keel Mounting Kit

2: Square Hole of the Rail
4: M3×7 Fastening Screws

(2) Make T-keel stick to the hanging slot of the wall mounting kit:

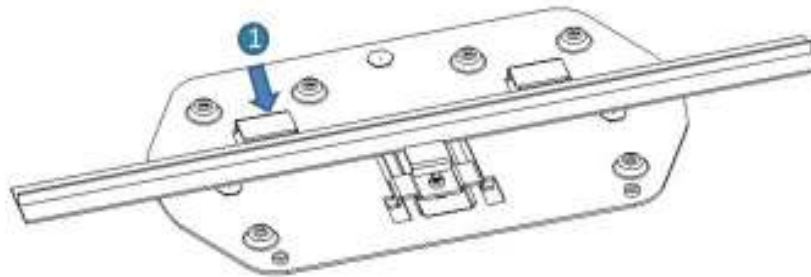


Fig 3-11 Hook the T-keel to the hanging slot of the wall mounting kit

1: Wall Mounting Kit

(3) Slide the T-keel mounting kit according to the direction in the following picture. Screw the M3x7 until the T-keel mounting kit is firmly locked in.

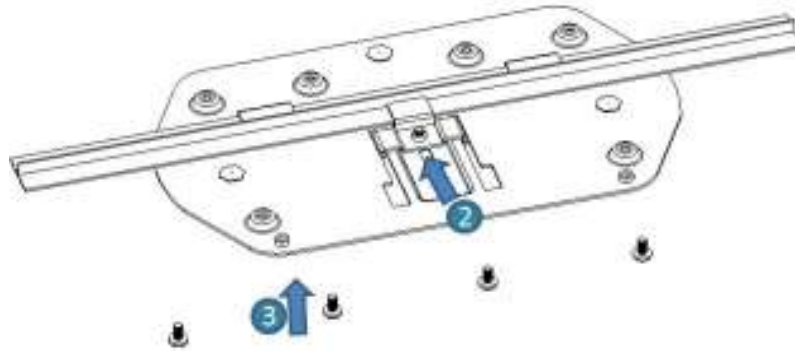


Fig 3-12 T-keel mounting kit

2: T-keel mounting kit

3: M3×8 fastening screws

(4) Use the four M3x7 fastening screws under the T-keel until the T-keel is firmly locked in.

(5) Match the mounting holes on the back of AP with the pegs on the mounting kit. Hang it onto the pegs

(6) Slide the AP until the pegs pass through the anti-loose hook

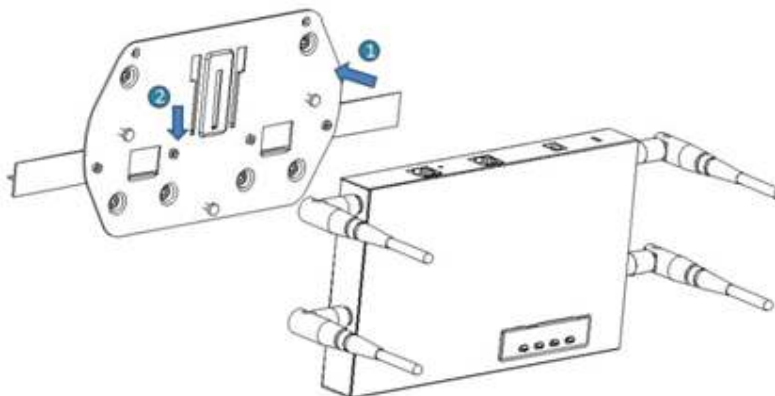


Fig 3-13 WAP33DC installation

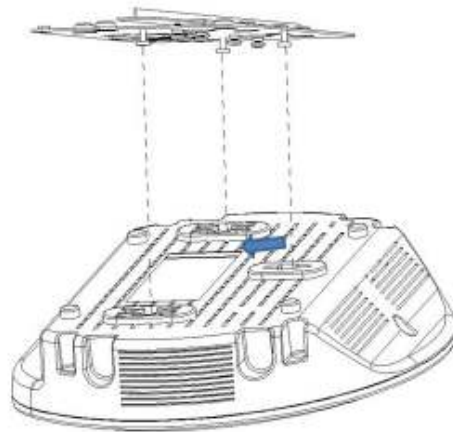


Fig 3-14 WAP38DC installation

(7) Close the stationary blanks of the chassis to the AP device using the M3 screws.

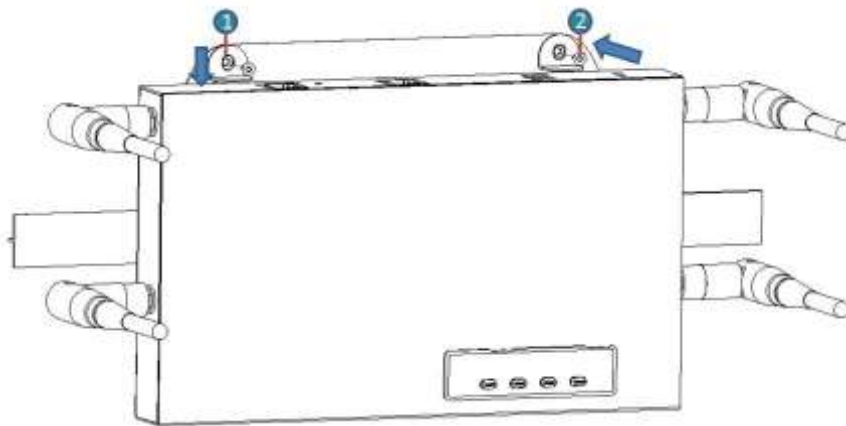


Fig 3-14 complete the AP installation

(8) Connect AP to the wired LAN/POE by using the cable.



3.5 AP Power Options

The WAP3xDC series supports both local power and PoE.

WAP33DC adopts the 802.3af/802.3at PoE power supply.

WAP38DC adopts the 802.3af/802.3at PoE power supply.

Table 3-1 power adapter specifications

Items	Explanation
Power Adapter Input	100-240V AC
Power Adapter Output	+12V  2A 

The WAP3xDC series supports the AC/DC power adapters. You can connect the power interface of the device to local power through the power adapter.

3.6 Connecting to the Internet

The APs can uplink to the Internet or WAN through the Ethernet port. Connect the Ethernet port of the AP to the switch port to achieve an uplink connection.